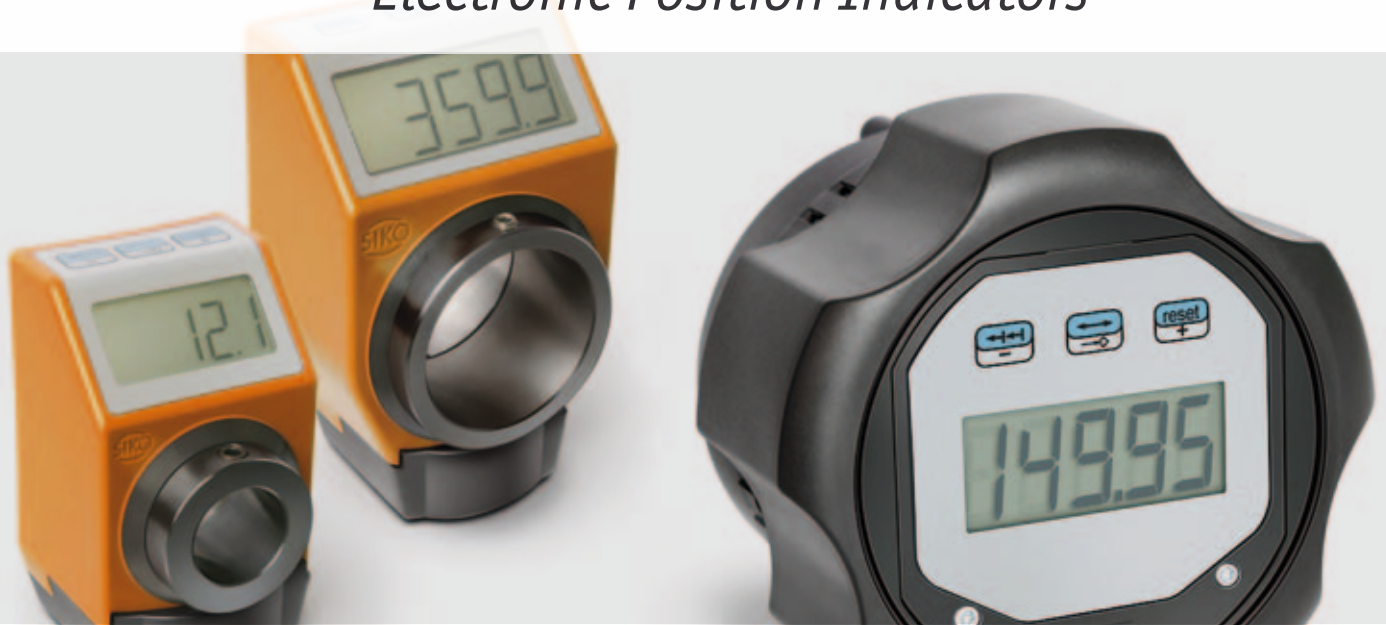


# PositionLine | 定位指示系列

## Electronic Position Indicators

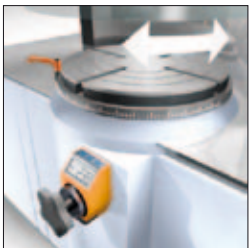


### 满足最大适应性的可 轻松编程的读数显示

当机械式计数器的发展触及到极限的境地，电子定位指示器开启了全新的可能性。

### 主要优点

- 轻松可编程的数值显示
- 线性或角度可切换模式
- 复位功能
- 正、负数值显示
- 高精度显示
- 电池便捷更换方式
- 与机械式计数器安装方式兼容



### Freely programmable digital readouts for maximum flexibility

Where mechanical counters reach their limits, intelligent electronic position indicators open up completely new possibilities.

### Key benefits

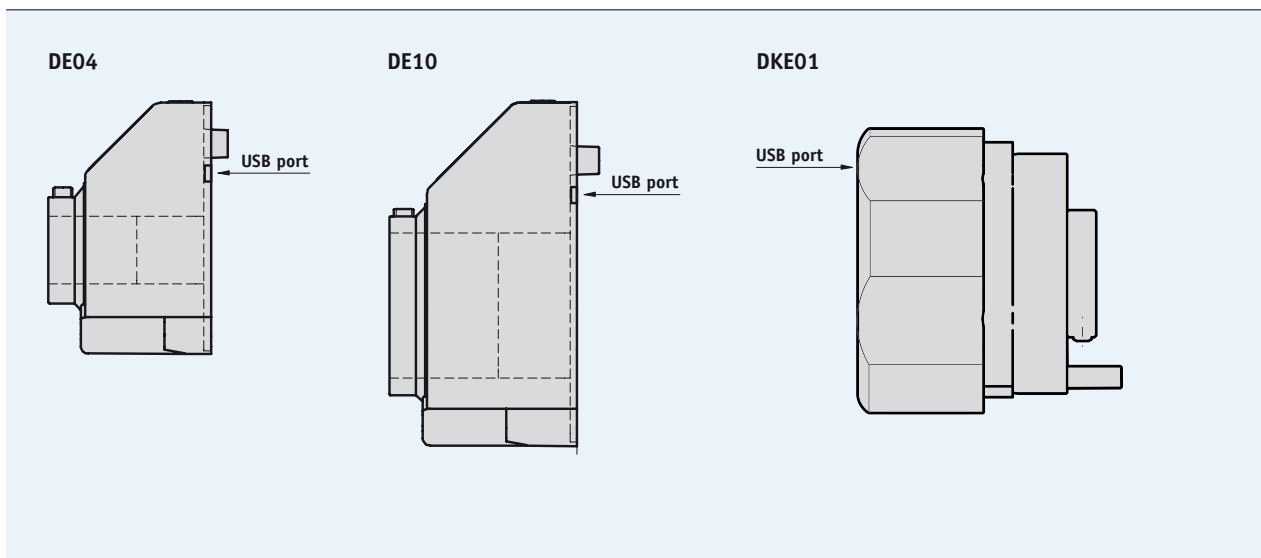
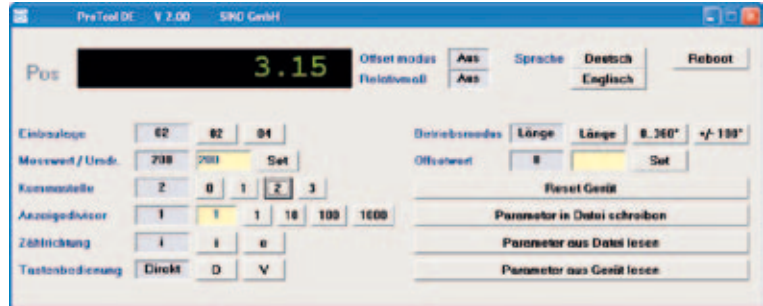
- Freely programmable display values
- Linear or angular mode
- Reset function
- Display of positive and negative values
- High display accuracy
- Easy battery change
- Mounting-compatible with mechanical position indicators

## 参数编辑软件 ProTool DE

- 参数可被方便地编程
- 线性和角度测量可切换模式
- 附有USB连接电缆

### Profile ProTool DE

- Parameters can be freely programmed
- Toggle mode between angle and linear measurement
- With USB connection cable



## 应用举例 | Example of use



IEF Werner GmbH

### 最高度的柔性适配

靠编程去改变同一个基本器件的应用。

### *Highest flexibility:*

*The same basic device with programming adjusted to the application.*

## DE04, DE10 特性

- 可用ProTool方便地编程
- 通过按键执行复位, 增量型测量和数值校准
- 5位数值和特殊字符液晶显示
- 无须拆卸器件轻松更换电池, 电池使用时间长达约8年

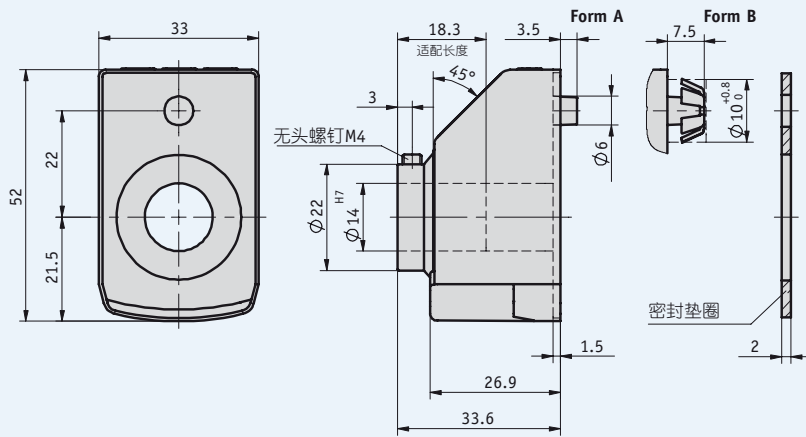
## Profile DE04, DE10

- Freely programmable with ProTool DE
- Reset, incremental measurement, offset via keyboard
- LCD display with 5 digits and special characters
- Easy battery change without removal of the device, approx. 8 years of battery service life



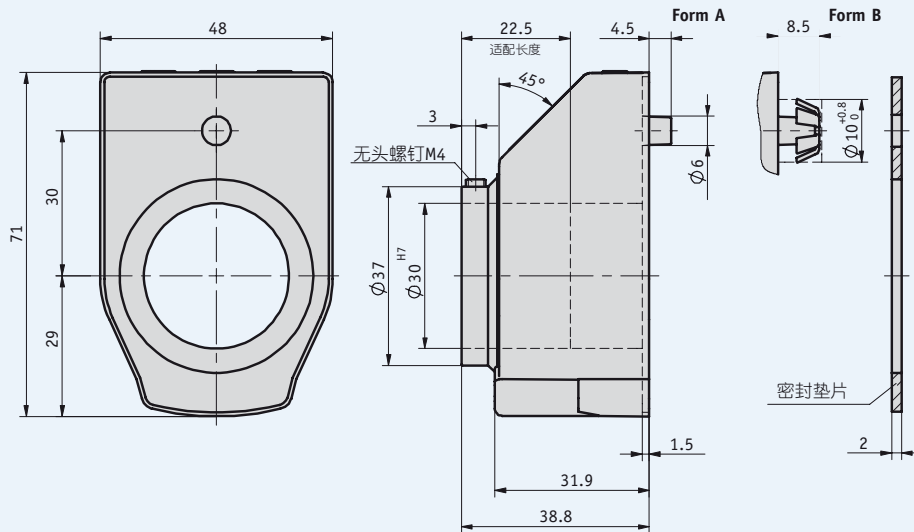
### DE04

力矩支持



### DE10

力矩支持

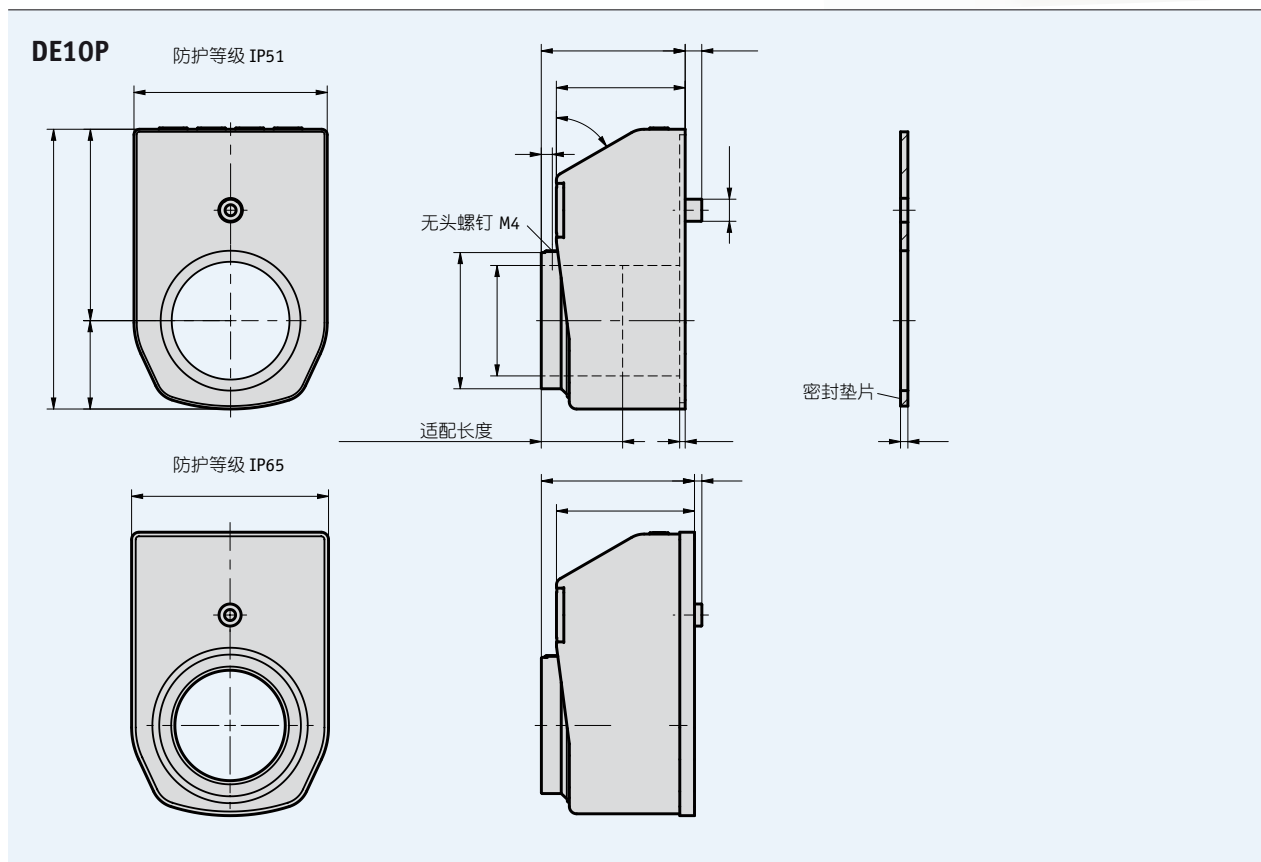


## DE10P 特性

- 直接可以在器件上编程
- 不锈钢轴套，最大内经 $\varnothing$  30 mm
- 防护等级 IP65
- 6位数值和特殊字符液晶显示，字形高度约11mm
- 电池可方便地被更换(2x AAA 1,5V)

## Profile DE10P

- *Directly programmable on the device*
- *Stainless steel hollow shaft, max.  $\varnothing$  30 mm*
- *Protection category IP65*
- *LCD display with 6 digits and special characters, digit height ~11 mm*
- *Easily exchangeable batteries (2x AAA 1,5 V)*



## DKE01 特性

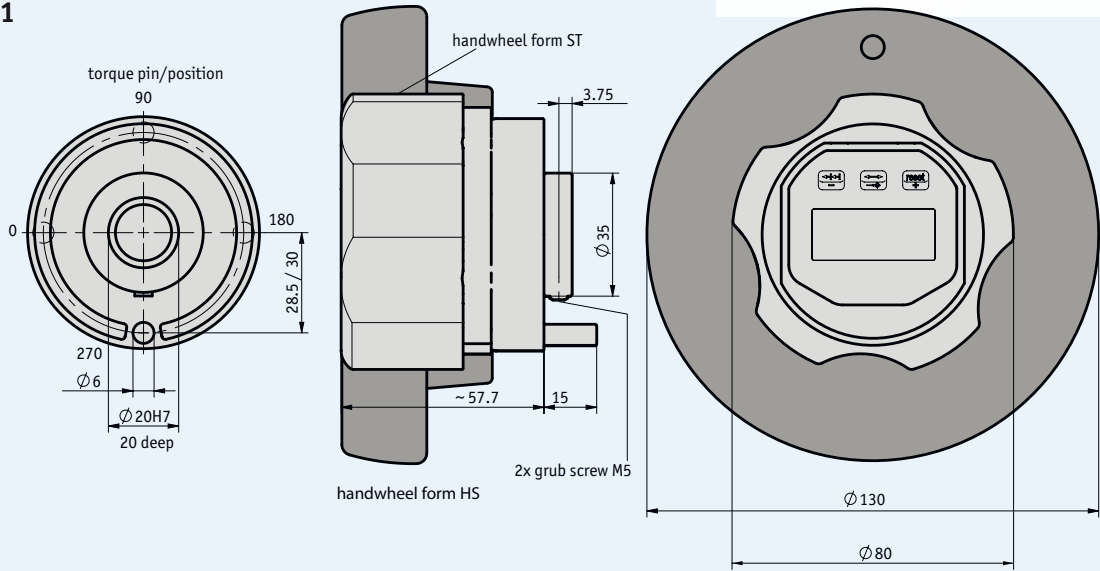
- 集成了5位液晶数字显示的旋钮
- 可以方便地用ProTool编程
- 电池可使用约8年
- 防护等级 IP65

## Profile DKE01

- Rotary knob with integrated LCD display, 5 digits
- Freely programmable with ProTool DE
- Approx. 8 years of battery service life
- Protection category IP65
- With disk handwheel or star grip



## DKE01



## 世界上第一个集成了电子显示的手轮

- 集调节功能和可编程显示于一身的紧凑型器件
- 符合人体工程学的星形把手
- 便于在任何位置安装
- 即使在震动环境中都不会有读数出错
- 标准机械式旋钮和电子定位指示器的安装都相互兼容
- 外壳经过防酸碱腐蚀处理

## The world's first handwheel with integrated electronic display

- Combines adjustment element and programmable display in one compact unit.
- Including star grip for ergonomic handling
- Easy mounting in any position
- Error-free reading even with vibrations
- Mounting-compatible with standard mechanical knobs and position indicators
- Acid- and alkali-resistant housing

## 我们始终伴随着您

### 无论是在德国...

您正在寻找一个就近的代理商吗？我们的网站能帮助您。在 [www.siko.de/kontakt/deutschland](http://www.siko.de/kontakt/deutschland)，您就能按您的邮政编码找到目前在德国本地的SIKO代理商联系人信息。或者就打我们的电话，我们能告诉您所需要的联系人信息。

### ...还是在世界各地

SIKO的分公司和代理商遍布全球。在 [www.siko.de/kontakt/international](http://www.siko.de/kontakt/international)，您能找到您所在区域的SIKO合作伙伴。

## We are always there for you.

### Whether locally ...


Are you looking for an agency near you? Our website will help you. At [www.siko.de/contact/germany](http://www.siko.de/contact/germany) you will find current contact data of a local German SIKO agency via your postal code. Or just call us and we will give you the contact data you need.

### ... or internationally.

Subsidiaries and agents all over the world represent SIKO. At [www.siko.de/contact/international](http://www.siko.de/contact/international) you will also find a SIKO partner in your area.



#### Headquarters:

 **SIKO GmbH**  
Weihermattenweg 2  
D-79256 Buchenbach

#### Telefon

+49 7661 394-0

#### Telefax

+49 7661 394-388

#### E-Mail

[info@siko.de](mailto:info@siko.de)

#### Subsidiaries:

 **SIKO Products Inc**

 **SIKO Italia S.r.l.**

 **SIKO Magline AG**

 **SIKO International Trading (Shanghai) CO., Ltd.**

 **SIKO Products Asia Pte. Ltd.**

[www.siko-global.com](http://www.siko-global.com)